

SPECIFICATION

AIR INLET :

1/4" BSPT (FEMALE)

MAXIMUM FLOW :

13.0 GPM (49.2 LPM)

FLUID INLET/OUTLET :

1/2" BSPT

MAX. OPERATING PRESSURE :

100 PSI (6.9 bar)

SUSPENDED SOLIDS MAX DIA. :

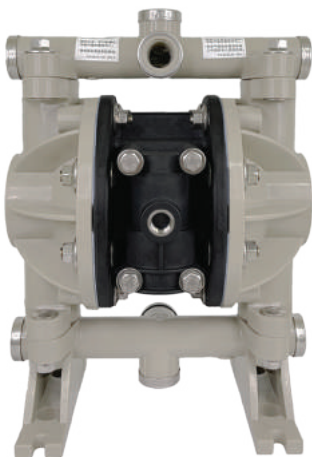
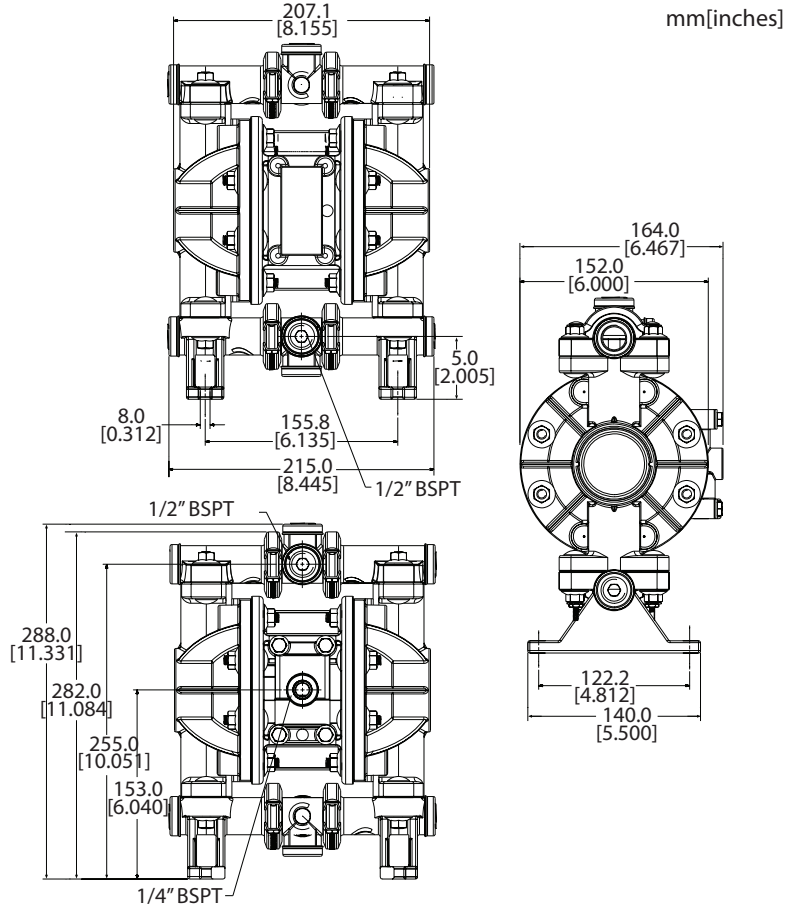
3/32" (2.4mm)

WEIGHT :

7.2 lbs (3.3 kg) Polypropylene

DIMENSIONAL DATA

Dimensions shown are for reference only, they are displayed in inches and millimeters (mm).



Performance Curve for Water at Ambient Temperature

