

### SPECIFICATION

**AIR INLET :**

1/4" BSPT (FEMALE)

**MAXIMUM FLOW :**

35 GPM (133 LPM)

**FLUID INLET/OUTLET :**

1" BSPT

**MAX. OPERATING PRESSURE :**

120 PSI (8.3 bar)

**SUSPENDED SOLIDS MAX DIA. :**

1/8" (3.2mm)

**MAX. DRY SUCTION LIFT :**

20 FT (6.1m)

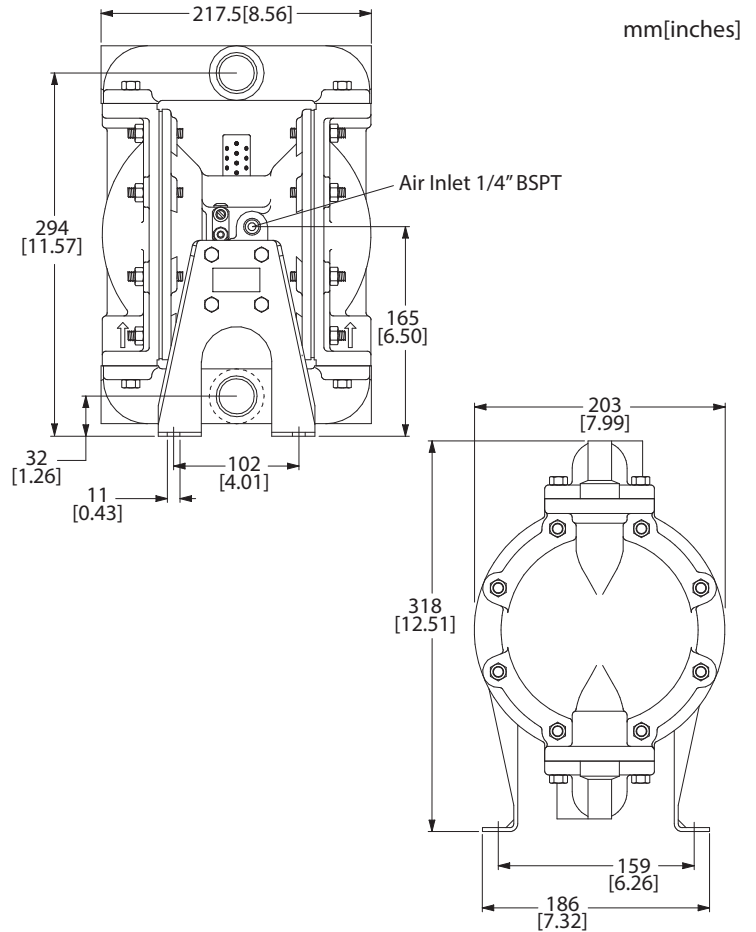
**WEIGHT :**

19 lbs (8.6kg) Aluminium

36 lbs (16.3kg) Stainless Steel

### DIMENSIONAL DATA

Dimensions shown are for reference only, they are displayed in inches and millimeters (mm).



Performance Curve for Water at Ambient Temperature

