

### SPECIFICATION

**AIR INLET :**

1/4" BSPT (FEMALE)

**MAXIMUM FLOW :**

47 GPM (177.9 LPM)

**FLUID INLET/OUTLET :**

1" ANSI/DIN Flange

**MAX. OPERATING PRESSURE :**

120 PSI (8.3 bar)

**SUSPENDED SOLIDS MAX DIA. :**

1/8" (3.2mm)

**MAX. DRY SUCTION LIFT :**

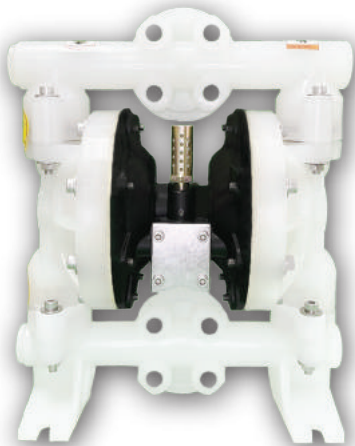
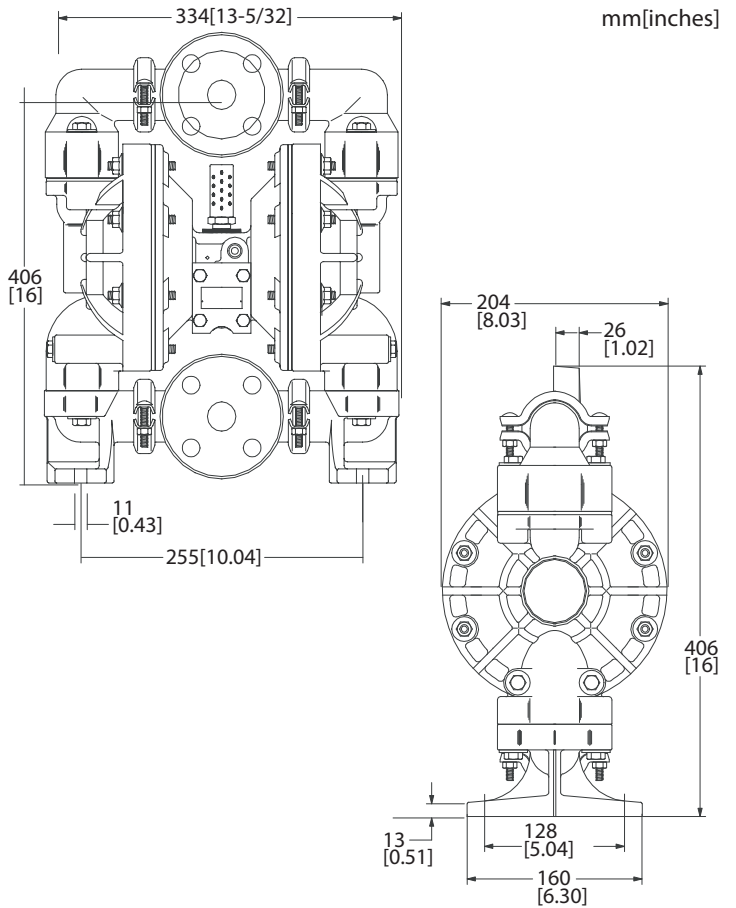
15 FT (4.6m)

**WEIGHT :**

20.3 lbs (9.2kg) Polypropylene

### DIMENSIONAL DATA

Dimensions shown are for reference only, they are displayed in inches and millimeters (mm).



Performance Curve for Water at Ambient Temperature

