

### SPECIFICATION

**AIR INLET :**

1/2" BSPT (FEMALE)

**MAXIMUM FLOW :**

100 GPM (378.5 LPM)

**FLUID INLET/OUTLET :**

1.5" ANSI/DIN Flange

**MAX. OPERATING PRESSURE :**

120 PSI (8.3 bar)

**SUSPENDED SOLIDS MAX DIA. :**

1/4" (6.4 mm)

**MAX. DRY SUCTION LIFT :**

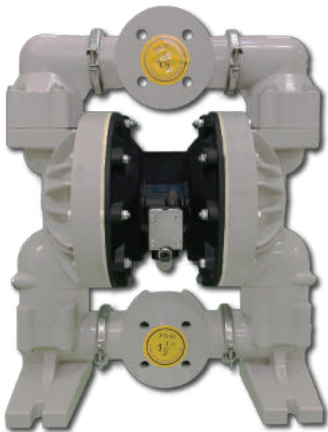
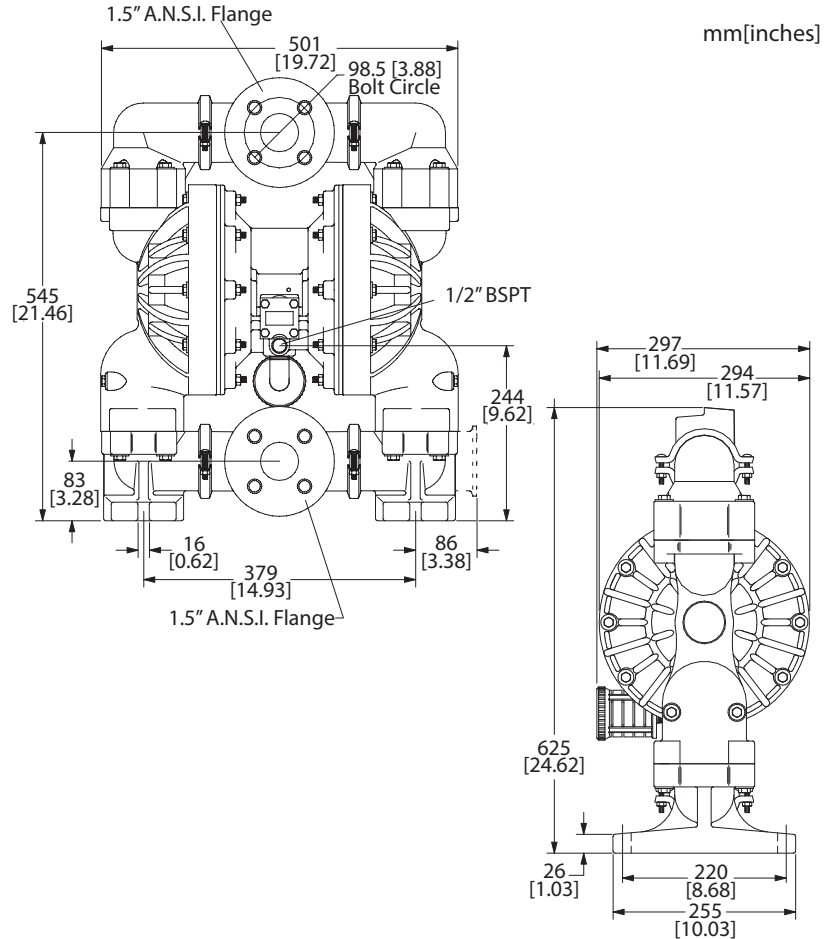
14 FT (4.27m)

**WEIGHT :**

62 lbs (28.1kg) Polypropylene

### DIMENSIONAL DATA

Dimensions shown are for reference only, they are displayed in inches and millimeters (mm).



Performance Curve for Water at Ambient Temperature

