

SPECIFICATION

AIR INLET :

1/2" BSPT (FEMALE)

MAXIMUM FLOW :

145 GPM (548.8 LPM)

FLUID INLET/OUTLET :

2" ANSI/DIN Flange

MAX. OPERATING PRESSURE :

120 PSI (8.3 bar)

SUSPENDED SOLIDS MAX DIA. :

1/4" (6.4mm)

MAX. DRY SUCTION LIFT :

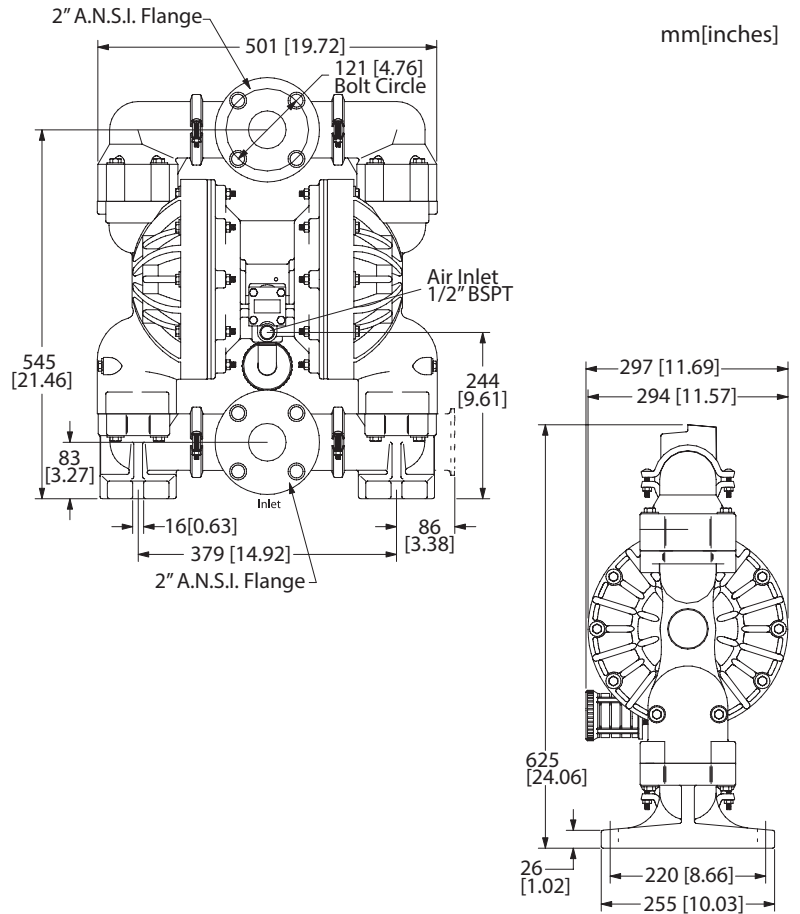
14 FT (4.27m)

WEIGHT :

62 lbs (28.1kg) Polypropylene

DIMENSIONAL DATA

Dimensions shown are for reference only, they are displayed in inches and millimeters (mm).



Performance Curve for Water at Ambient Temperature

