

### SPECIFICATION

**AIR INLET :**

3/4" BSPT (FEMALE)

**MAXIMUM FLOW :**

237 GPM (897.0 LPM)

**FLUID INLET/OUTLET :**

3" BSPT

**MAX. OPERATING PRESSURE :**

120 PSI (8.3 bar)

**SUSPENDED SOLIDS MAX DIA. :**

3/8" (9.5mm)

**MAX. DRY SUCTION LIFT :**

17.6 FT (5.4m)

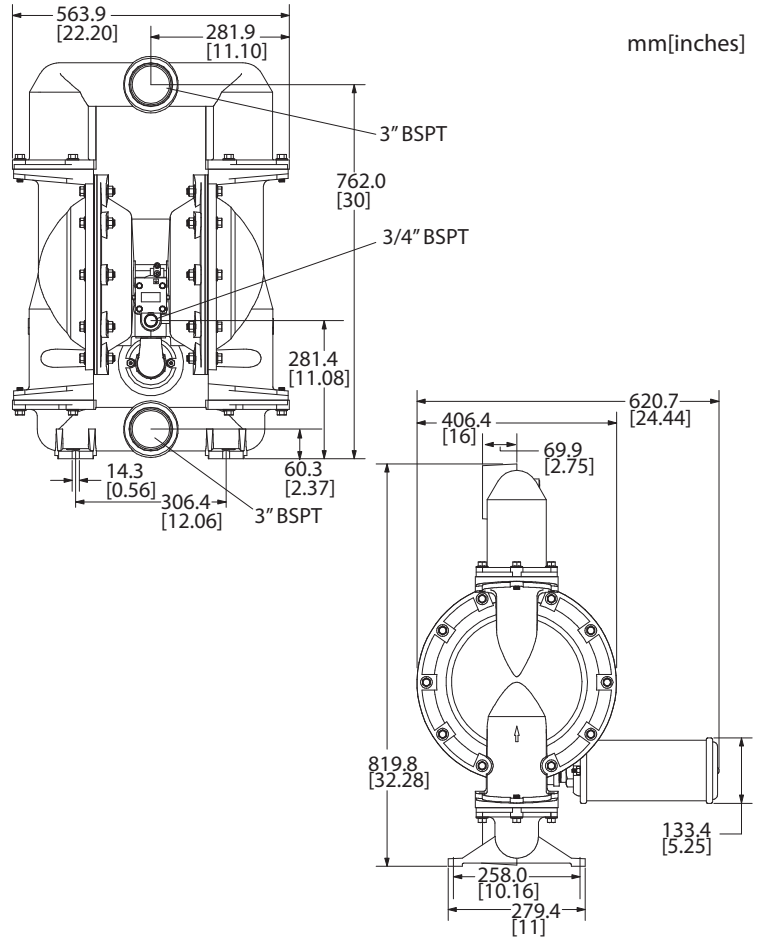
**WEIGHT :**

109.8 lbs (49.8kg) Aluminium

222.2 lbs (100.8kg) Stainless Steel

### DIMENSIONAL DATA

Dimensions shown are for reference only, they are displayed in inches and millimeters (mm).



Performance Curve for Water at Ambient Temperature

